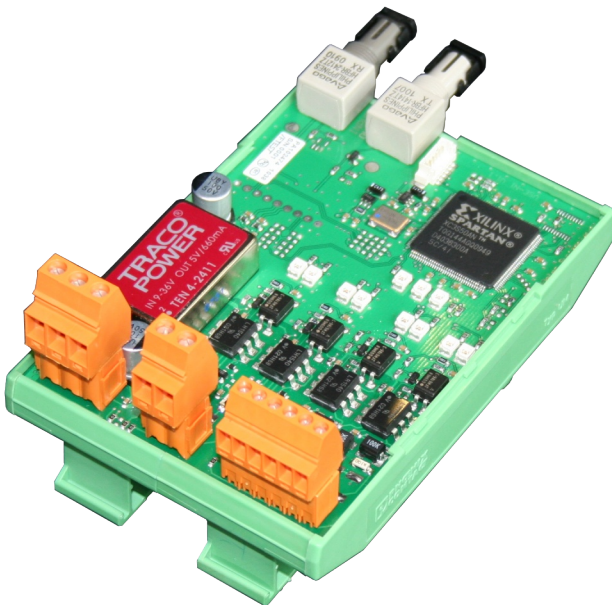


VSE-N1/N4

Emergency line fiber converter



● Technical Details:

- N1: Multimode Fiber modules Agilent HFBR 2412 / HFBR 1414
N4: Singlemode Fiber modules AFCT 58xx
- N1: Fiber connector ST type
N4: Fiber connector SC type
- N1: Fiber cable 62,5/125 μm or 50/125 μm multimode
N4: Fiber cable 9 μm
- N1: Fiber length up to 5km (max 10dB total), every 5km repeater
VSE-C2 needed
N4: Fiber length up to 15km
- Alarm- and Horn Line bidirectional transmission plus 2 general purpose I/O open collector type (50mA sink current)
- 18-36V AC/DC power supply input, power consumption 3 W
- Dimensions: (L x W x H) 110x80x50mm open frame
- Easy mounting on DIN rail

● Introduction

The VSE-Nx unit is used to transmit the emergency line signals via fiber cable (N1 for multimode, N4 for single mode). Two fiber cable are used for bidirectional transmission.

● Operation

The VSE-Nx emergency line transmitter monitors the Alarm and the Horn Signal lines and transmits their status via fiber cable to the corresponding VSE-Nx on the other end. There is a status indicator LED for each signal. If the fiber connection breaks down or the output status can not be applied to the wire a red LED will lit to show the error condition.

● Installation

Just clip the VSE-Nx onto the DIN rail and connect the screw terminal plug to the Emergency Line wires. Then plug in the prepared power plug. You should see the blue LED. Then plug in the Emergency Line connector. As soon the fire detection systems starts to run the Alarm Line LED will indicate the active state of the line about once per minute (simultaneous click noise of the relays). If you see the red sync lost LED, then there must be some error in the fiber cable wiring, or a short on the emergency lines.

● Hints

There are two additional general purpose I/O on the third screw terminal. Two open collector type input in both directions. They have weak pull ups to the supply voltage of the emergency lines. For special needs the supply can be separated on demand.

VISOelec
Lucie Heimgartner
Waldesruhstrasse 14
CH-5442 Fislisbach
Switzerland

Tel. +41 (0)56 493 1892
Fax +41 (0)56 493 7848

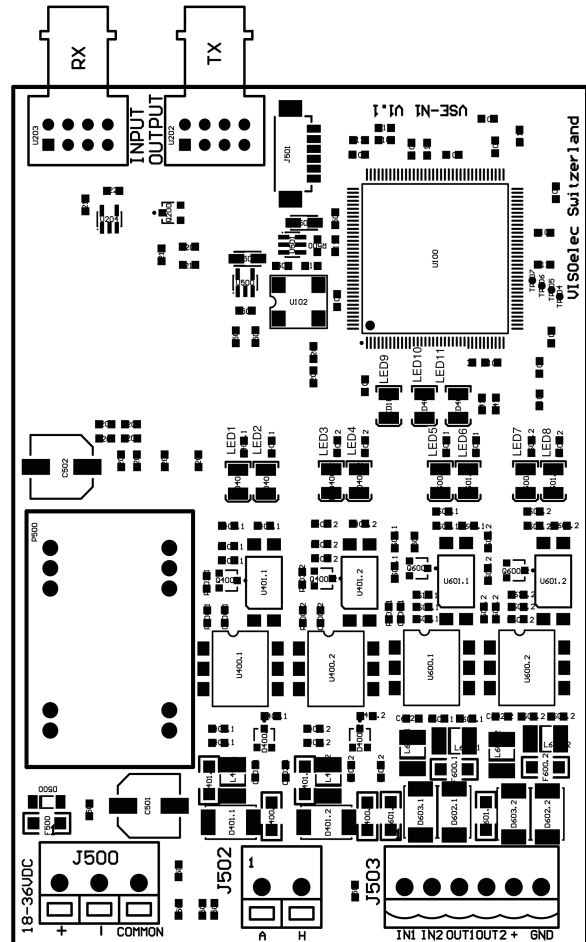
www.visoelec.com

VSE-N1/N4

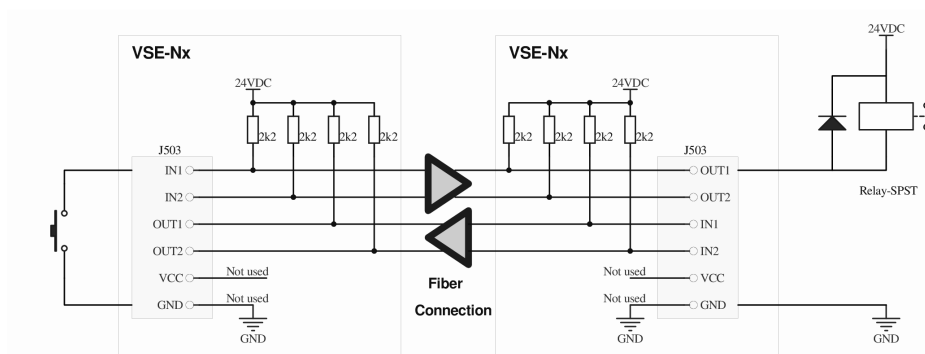
Emergency line multi mode fiber converter

Connector Pinout

- J500: DC Power connector 18-36V (pin1: +, pin2: -, pin3: common)
- J502: Emergency Line pin1: Alarm, pin2: Horn
- J503: IN1, IN2, OUT1, OUT2, Power, GND
- LED1, LED3 (green): Status of the Alarm / Horn Signal
- LED2, LED4 (red): Error of the Alarm / Horn Signal
- LED5, LED7 (green): Status of the general purpose Inputs
- LED6, LED8 (red): Error of the general purpose Outputs
- LED9 (blue): Power
- LED10 (red): Remote Error of the Alarm / Horn Signal
- LED11 (red): Sync lost, fiber connection problem



Application Example of general purpose I/O



VISOelec
Lucie Heimgartner
Waldesruhstrasse 14
CH-5442 Fislisbach
Switzerland

Tel. +41 (0)56 493 1892
Fax +41 (0)56 493 7848

www.visoelec.com