

VSE-C2

optical fiber repeater

Introduction

Optical data transmission is getting more and more important. Especially for long distance and noisy environments it has many advantages against copper. The low cost multimode devices have a limited transmission distance. This made it necessary to develop a fiber repeater for systems which need more than 5km transmission distance.

Operation

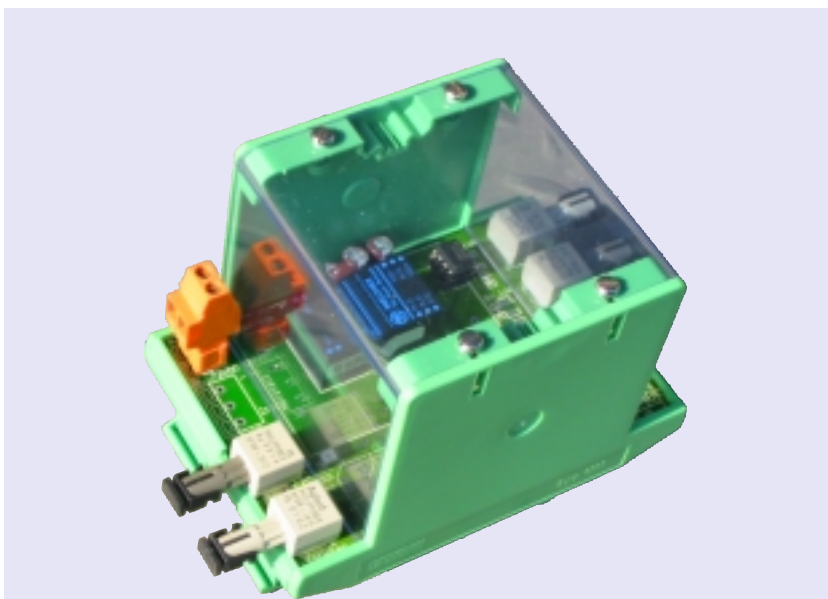
The VSE-C2 repeater receives the optical signals from one segment and transmits them to the other optical segment and vice versa. It needs local power to amplify the weak input signals.

Installation

Just clip the VSE-C2 onto the DIN rail and plug in the power plug. You should see the green LED. Then plug in the ST fiber connectors. Be sure to plug in the receiving fiber into the corresponding optical receiver.

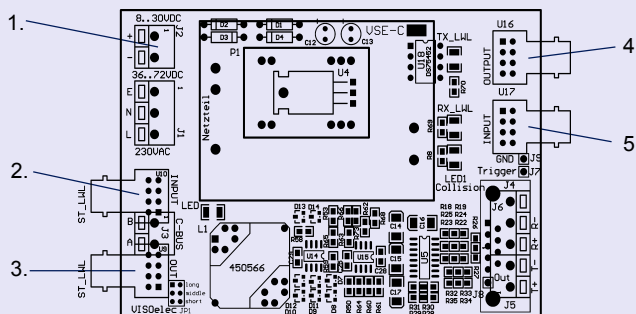
Hints

- ..



Technical Details:

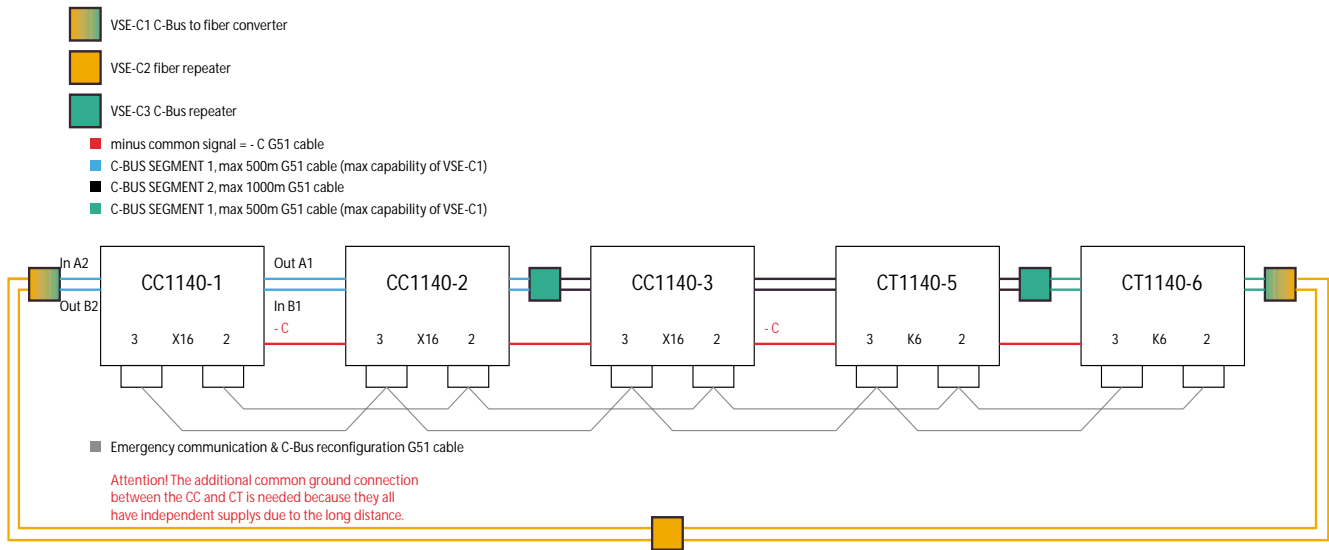
- Fiber modules HP HFBR-1414 / HFBR-2412
- Fiber connector ST type
- Fiber cable 62,5/125 μm or 50/125 μm multimode
- Fiber length up to 5km (max 10dB total), every 5km repeater VSE-C2 needed
- 18-36V AC/DC power supply input, power consumption 3 W
- Dimensions: (L x W x H) 110x80x90mm with hood, 110x80x50mm open frame
- Easy mounting on DIN rail
- LED indicators for receive, transmit activity and collision detection



- 1 AC/DC power connector
- 2 fiber segment A INPUT
- 3 fiber segment A OUTPUT
- 4 fiber segment B OUTPUT
- 5 fiber segment B INPUT

VSE-C1 C-Bus G51 to optical fiber converter

Application example (VSE-C1/C2/C3 mixed configuration)



Specifications subject to change without notice.

© Copyright 2002 VISOelec, all rights reserved.

VSE-C2 optical fiber repeater